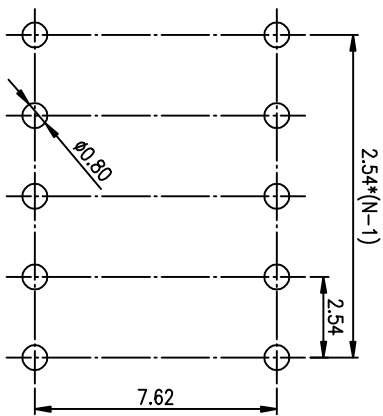
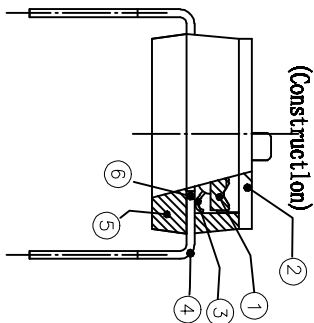
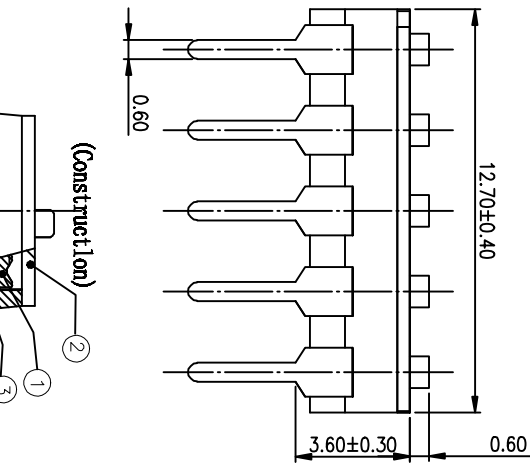
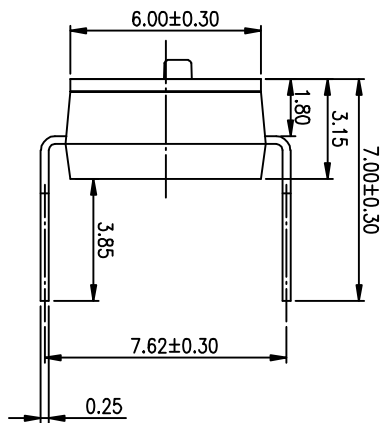
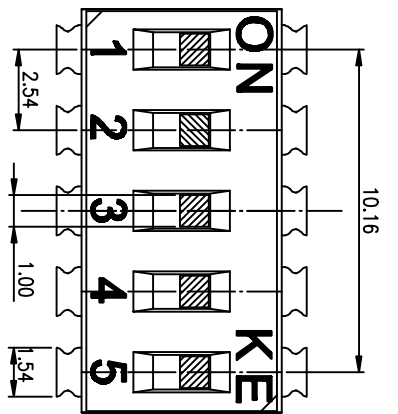
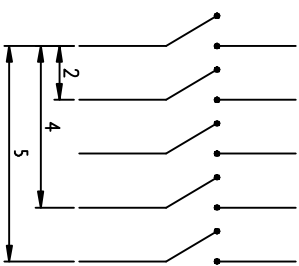


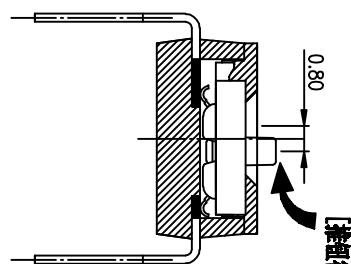
PRODUCT NO.	DISCOSLHGET
NO.	RoHS compliant



RECOMMENDED P.C.B. LAYOUT (TOP VIEW)

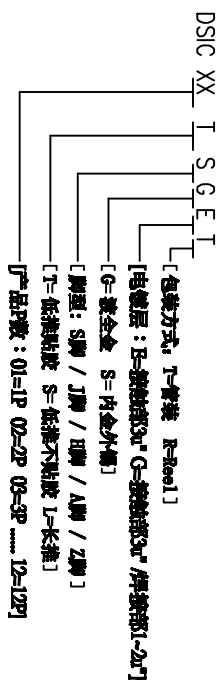


[Schematic]



- NOTES :
- 1> Specification:
 - 1> Operating force: 1000gf Max
 - 2> Operating Temperature: -40° to +85°
 - 3> Storage Temperature: -40° to +85°
 - 4> Mechanical Life: 3000cycles minimum
 - 5> Electrical Life: 2000cycles 25mA 24VDC
 2. PLATING:
 - GOLD FLASH 1u"(min.) SOLDER TAIL,
 - 3u" GOLD PLATING ON THE CONTACT AREA,
 - WITH 50u" NICKEL UNDERPLATING OVERALL.

3. PART NUMBER DESCRIPTION



Number	Part Name	Material	Finished	TOLERANCE UNLESS OTHERWISE SPECIFIED		INSPECTION COPY	PROJECTION	TITLE
				LINEAR	ANGLES			
①	Actuator	UL94 V0	White	0 ± 0.25	0. ± 2°			BY DISC SERIES PITCH 2.54mm
②	Cover	UL94 V0	Black	.00 ± 0.15	.0 ± 1°			PRODUCT FAMILY DISC SERIES
③	Movable	Copper Alloy	3u"Gold	.000 ± 0.10	.00 ± 0.5°			PRAT NO. DISCOSLHGET
④	Terminal	Brass	1u"Gold					FILE NO. DISCOSLHGET-A
⑤	Base	UL94 V0	Black					SIZE UNIT SCALE SHEET REV.
⑥	Terminal Contact	Brass	3u"Gold					A4 mm 2 : 1 1 OF 1 A

RE 總實特微電子股份有限公司
Dongguan Kingtek Industrial Co., Ltd.