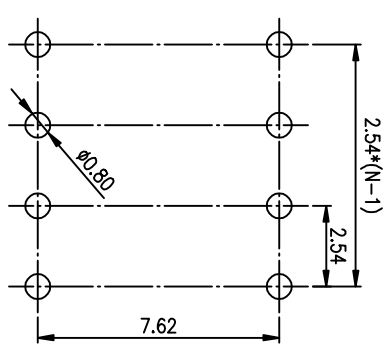
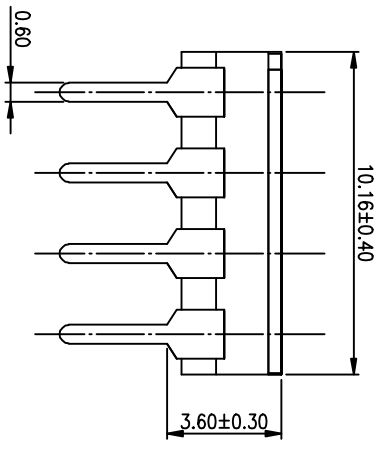
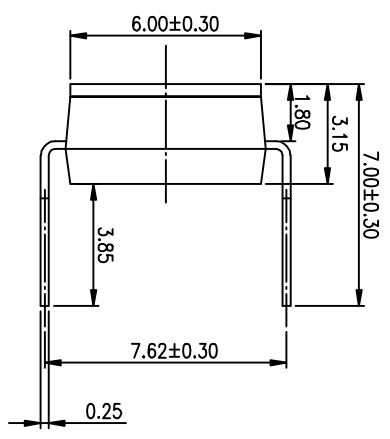
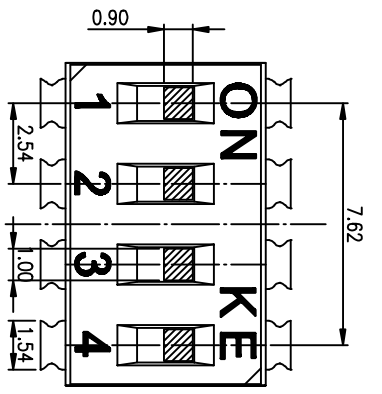
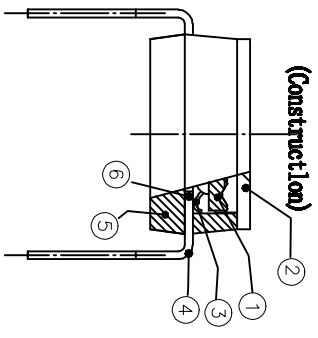


<b>PRODUCT NO.</b>	1
<b>DISCOASHEET</b>	RAIS compliant



**RECOMMENDED P.C.B. LAYOUT (TOP VIEW)**

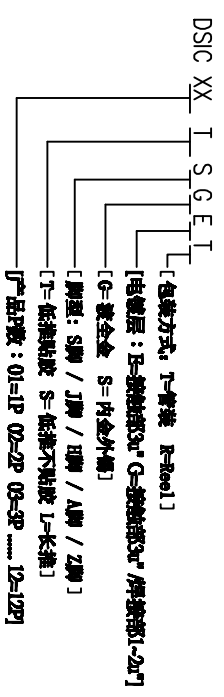


**(Construction)**

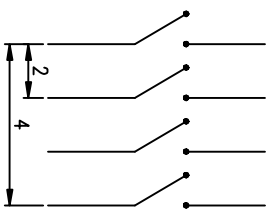
**NOTES :**

1. Specification:  
 1> Operating force: 1000gf Max  
 2> Operating Temperature: -40° to +85°  
 3> Storage Temperature: -40° to +85°  
 4> Mechanical Life: 3000cycles minimum  
 5> Electrical Life: 2000cycles 25mA 24VDC
2. PLATING:  
 GOLD FLASH 1u"(min.) SOLDER TAIL,  
 3u" GOLD PLATING ON THE CONTACT AREA,  
 WITH 50u" NICKEL UNDERPLATING OVERALL.

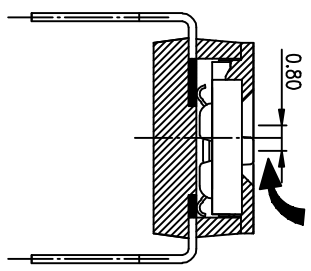
**3. PART NUMBER DESCRIPTION**



**[Schematic]**



**[推进行程]**



Number	Part Name	Material	Finished
①	Actuator	UL94 V0	White
②	Cover	UL94 V0	Black
③	Movable	Copper Alloy	3u"Gold
④	Terminal	Brass	1u"Gold
⑤	Base	UL94 V0	Black
⑥	Terminal Contact	Brass	3u"Gold

TOLERANCE UNLESS OTHERWISE SPECIFIED		INSPECTION	
LINER	ANGLES	COPY	PROJECTION
0 ± 0.25	0. ± 2'		
.00 ± 0.15	.0 ± 1'		
.000± 0.10	.00± 0.5'		
DESIGN	kathy	2012/04/12	
DRAWING			
CHECK			
APPRO.			

FILE NO.	DISCO4SHGET-A
SIZE	UNIT SCALE SHEET REV.
A4	mm 2 : 1 1OF 1 A



BY DISC SERIES PITCH 2.54mm  
 PRODUCT FAMILY DISC SERIES  
 PRAT NO. DISCO4SHGET