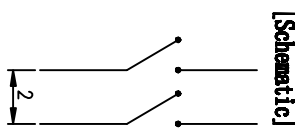
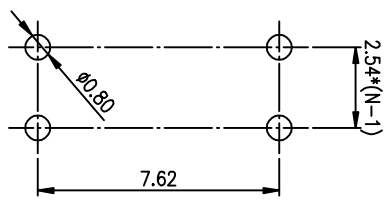
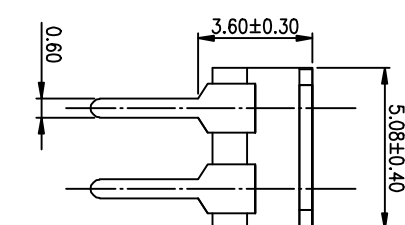
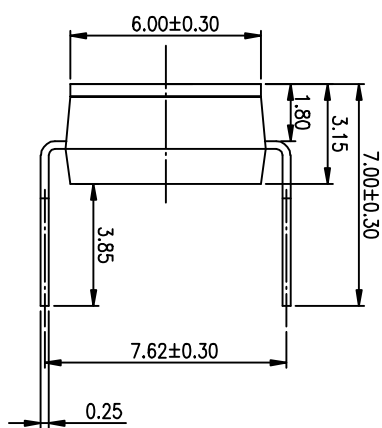
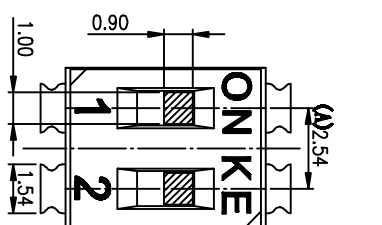
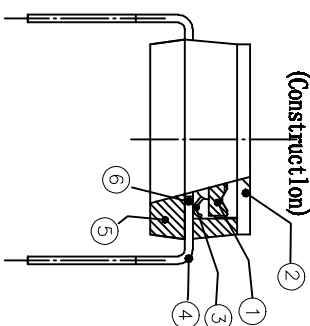


PRODUCT NO.	DISC02SHGET
RAIS compliant	



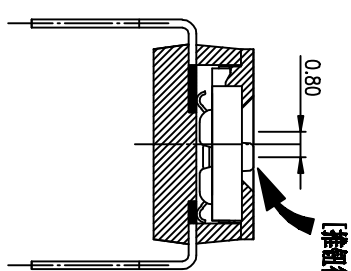
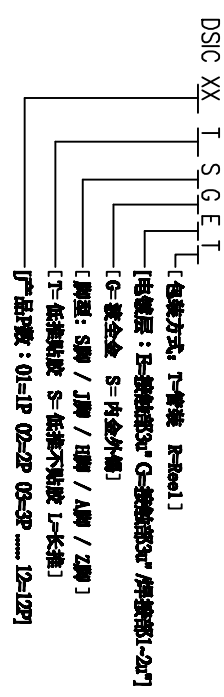
RECOMMENDED P.C.B. LAYOUT (TOP VIEW)



NOTES :

- 1.>Specification:
 1> Operating force: 1000gf Max
 2> Operating Temperature: -40° to +85°
 3> Storage Temperature: -40° to +85°
 4> Mechanical Life: 3000cycles minimum
 5> Electrical Life: 2000cycles 25mA 24VDC
2. PLATING:
 GOLD FLASH 1u"(min.) SOLDER TAIL,
 3u" GOLD PLATING ON THE CONTACT AREA,
 WITH 50u" NICKEL UNDERPLATING OVERALL.

3. PART NUMBER DESCRIPTION



Number	Part Name	Material	Finished
①	Actuator	UL94 V0	White
②	Cover	UL94 V0	Black
③	Movable	Copper Alloy	3u"Gold
④	Terminal	Brass	1u"Gold
⑤	Base	UL94 V0	Black
⑥	Terminal Contact	Brass	3u"Gold

TOLERANCE UNLESS OTHERWISE SPECIFIED		INSPECTION	
LINER	ANGLES	COPY	PROJECTION
0 ± 0.25	0. ± 2'		
.00 ± 0.15	.0 ± 1'		
.000 ± 0.10	.00 ± 0.5'		
DESIGN	kathy	2012/04/12	
DRAWING			
CHECK			
APPRO.			

RE 總發特微電子股份有限公司
 Dongguan Kingtek Industrial Co., Ltd.

FILE NO.	DISC02SHGET-A
SIZE	UNIT SCALE SHEET REV.
A4	mm 2 : 1 1 OF 1 A